



Quick setting with the clamping bolts: move each single bolt without clamping screw into the slide block of the machine table and position the bolt by hand as a stopper at the workpiece. Tighten the clamping bolt and it automatically helps you to position the workpiece.

Flexible for diverse workpiece shapes: no matter if round, oval, quadratical or even pentagonal - with the help of the clamping bolts, you can clamp all forms.



Safely fixed: the clamping screws are added from above. They clamp the workpiece powerfully and securely. A soft exchangeable brass ring avoids damages or scratches at the workpiece.

Drill-through: there is not much disturbing space under the workpiece - no clamping jaws, no base, nothing is disturbing when you drill-through your workpiece with diverse divisions of pitch circles.

The small disturbing contour enables multi-purpose machining even at places which you normally hardly reach.



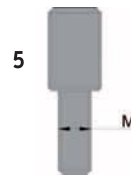
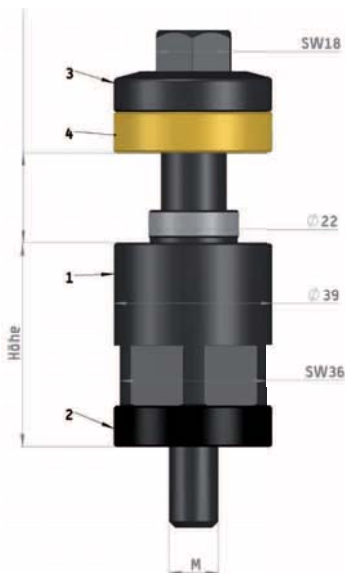
Clamping bolt 50 mm
with thread
M10 oder M12



Clamping bolt 100 mm
with exchangeable
threaded bolt



Clamping bolt 150 mm
with exchangeable
threaded bolt



- 1 - clamping bolt
- 2 - spring washer
- 3 - clamping screw
- 4 - clamping ring
- 5 - threaded bolt

Type:
Flexible clamping tool for direct clamping on the machine table with direct fixation in the T-slot. Precise tolerance classes guarantee parallel clamping to the machine table. For the bolts with length 100 mm and 150 mm, exchangeable threaded bolts are available. The clamping ring prevents a damage of the workpiece. Almost all types of flat workpieces can be clamped powerfully and precisely with these clamping bolts. The standard clamping range is 8-40 mm. With the clamping screws (available as spare part) it can be widened to a maximum of 87 mm.

Clamping bolts

Scope of delivery for height 50 mm:

Clamping bolts with fixed thread, ring & clamping screw with clamping ring

Article-No.	Description	Height	Thread
003000050	Clamping bolt	50 mm	M10
003M12050	Clamping bolt	50 mm	M12



Scope of delivery for height 100 mm/150 mm:

Clamping bolts, threaded bolt M10, ring & clamping ring with clamping screw

Article-No.	Description	Height	Thread
003000100	Clamping bolt	100 mm	M10
003000150	Clamping bolt	150 mm	M10



Spare parts

Article-No.	Description	Thread
003000Z00	Spring washer	-
003000Z02	Clamping ring	-
003000Z01	Clamping screw	8 mm - 40 mm
003000Z03	Clamping screw	40 mm - 67 mm
003000Z04	Clamping screw	65 mm - 87 mm
003000M10	Threaded bolt	M10
003000M12	Threaded bolt	M12
003000M14	Threaded bolt	M14
003000M16	Threaded bolt	M16



Set of clamping bolts

Delivery includes:

3 pcs. clamping bolts length 50 or 100, 3 pcs. clamping screw 40-67, 3 pcs. clamping screw 65-87, 1 pcs. The set is in a high-quality wooden case.

Article-No.	Description	Height	Thread
003990050	Clamping bolt set	50 mm	M10
003990100	Clamping bolt set	100 mm	M10

