

Noga Heavy Duty V Block Magnet Sets



NNOGA
simply sophisticated

Noga Heavy Duty V Block Magnet Sets with a choice of holders

NOGA Heavy Duty V Block Magnet Sets, including a choice of Noga holders, can help with the numerous challenges of the skilled operator of machine tools.

Utilized for general shop applications: securing & layout of items with various shapes, holding stock securely in place during light-duty operations such as boring, tapping, milling, drilling and grinding.

- Noga is offering a selection of V Block Magnet sizes with either a NF or PH Holder.
- Designed to hold dial and test indicators as well as other components.

Noga Engineering & Technology complies with the strict requirements of ISO 9001, ISO 14001 and ISO 13485.

We invite you to visit our web site: www.noga.com for further information.

NOGA reserves the right to make changes in any of its products without prior notice.

© Copyright NOGA Engineering & Technology (2008) Ltd.

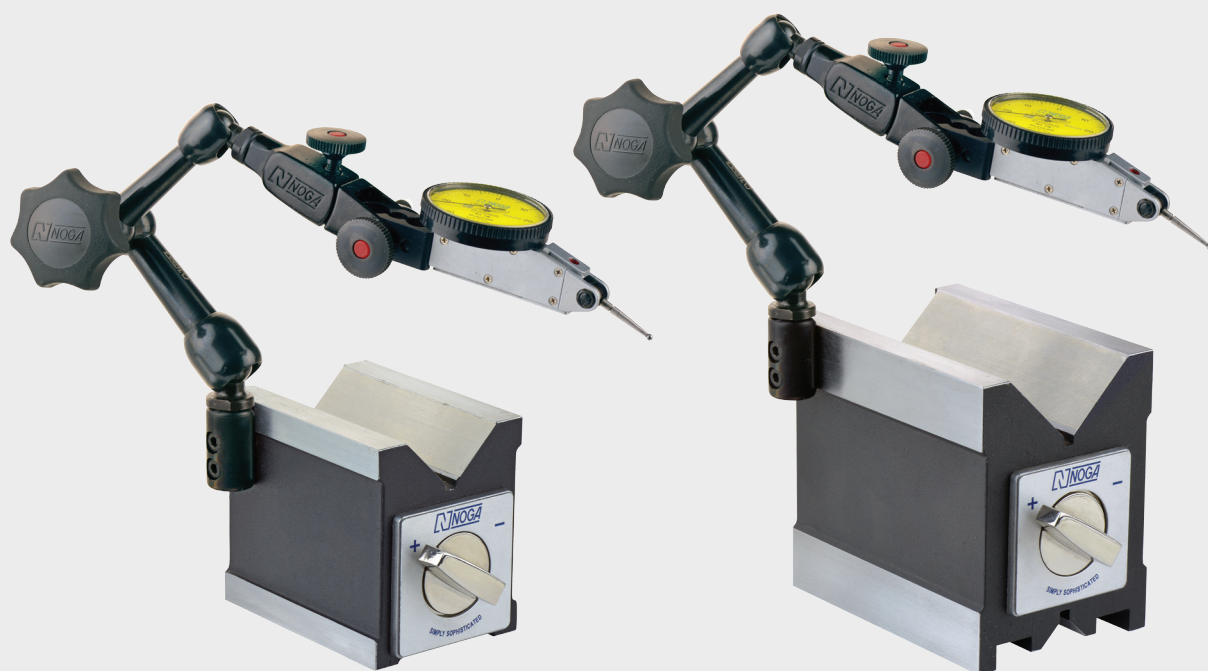
HD V Block Magnet Sets

INTRODUCTION	1	
CONTENTS	2	
HD V BLOCK MAGNET WITH ARTICULATED HOLDER SETS	3	
HD V BLOCK MAGNET WITH POST HOLDER SETS	4	
HD V BLOCK MAGNETS	5	
ARTICULATED HOLDERS & POST HOLDERS	6	

Articulated HD V Block Magnet Sets

VB1300

VB1400



Includes: V Block **VB1002** &
NF Holder* **NF60103**

Includes: V Block **VB1004** &
NF Holder* **NF60103**

* Test Indicator is not included

NOGA Heavy Duty V Block Magnet with articulated NF Holder Sets.

NOGA Heavy Duty V Block Magnet Sets, including a Noga articulated holder, can help with the numerous challenges of the skilled operator of machine tools.

Utilized for general shop applications: securing & layout of items with various shapes, holding stock securely in place during light-duty operations such as boring, tapping, milling, drilling and grinding.

Designed to hold dials and test indicators as well as other components. Holds 6 mm, 8 mm, 3/8" and dovetail.

Features:

- Design for versatility and accuracy with a Noga NF Holder
- All working surfaces are precision ground.
- Two precision V's will hold round stock sizes form 8-65mm
- Powerful V Block magnetic controlled by ON/OFF knob to activate the magnet.
- State of the art mechanical NF holders.
- Central locking mechanism with Noga designed spring loaded bearing.
- Can be used for inspection work.

NOGA
simply sophisticated

Post Holder HD V Block Magnet Sets

VB1100



Includes: V Block **VB1002** &
PH Holder* **PH3101**

* Dial Indicator is not included

VB1200



Includes: V Block **VB1004** &
PH Holder* **PH3101**

NOGA Heavy Duty V Block Magnet with PH holder Set.

NOGA Heavy Duty V Block Magnet Sets, including a Noga PH holder, can help with the numerous challenges of the skilled operator of machine tools.

Utilized for general shop applications: securing & layout of items with various shapes, holding stock securely in place during light-duty operations such as boring, tapping, milling, drilling and grinding.

Designed to hold dials and test indicators as well as other components. Holds 6 mm, 8 mm, 3/8" and dovetail.

Features:

- Design for versatility and accuracy with Noga PH Holder
- All working surfaces are precision ground.
- Two precision V's will hold round stock sizes form 8-65mm
- Powerful magnetic V Block controlled by ON/OFF knob to activate the magnet.
- State of the art mechanical PH holders.
- Strong arm lock by using 3 point clamp.
- Can be used for inspection work.

Heavy Duty V Block Magnet

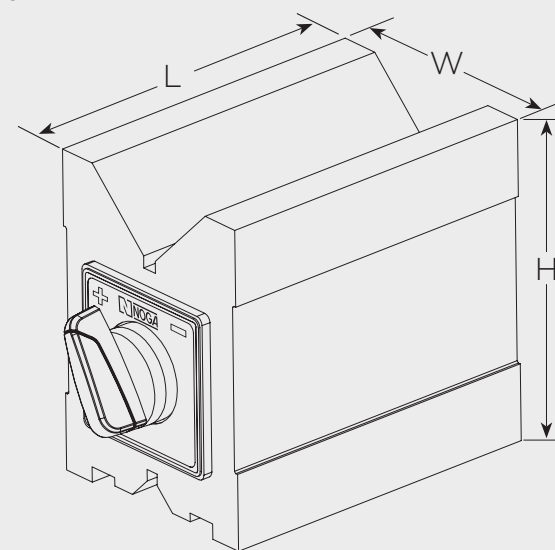


Features:

- Design for versatility and accuracy with a Noga NF & PH Holders
- All working surfaces are precision ground.
- Two precision V's will hold round stock sizes form 8-65mm
- Powerful V Block magnetic controlled by ON/OFF knob to activate the magnet.
- Connector designed to hold Noga NF & PH Holders (Int. M5).
- Can be used for inspection work.

Specifications:

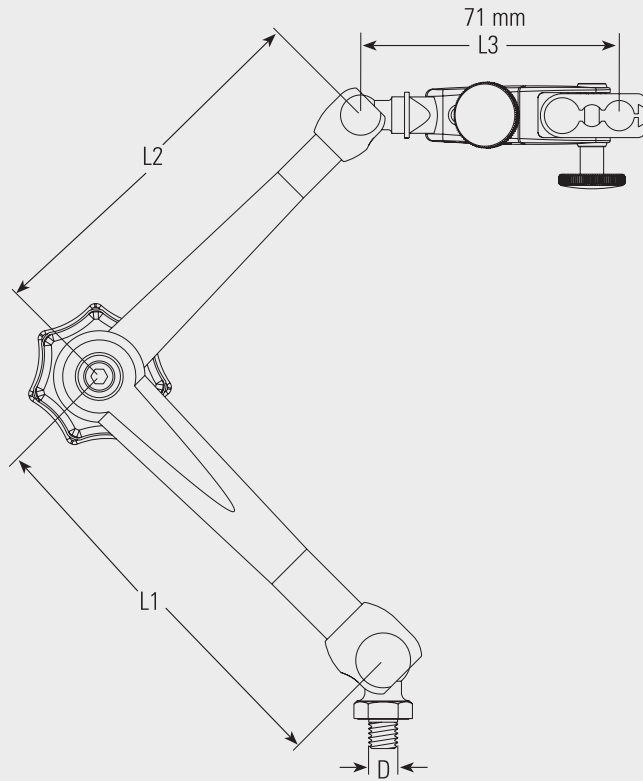
Clamping capacity: 8 - 65 mm
 Weight: 2 - 4.5 kg
 Optional NF & PH holders



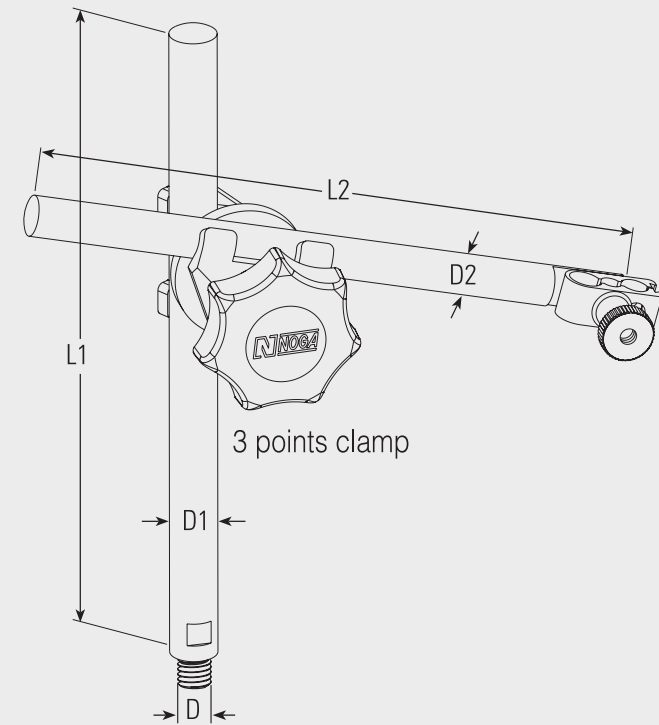
All measurements are in mm unless otherwise specified

Heavy Duty V Block Magnet Specifications						
V Block Magnet	Length	Width	Height	Force	Clamping Capacity	Weight
Order no.	L	W	H	N	dia.	kg
VB1001	80	60	73	500	Ø 8- Ø 52	2
VB1002	100	60	73	600	Ø 8- Ø 52	2.5
VB1003	100	70	95	600	Ø 8 -Ø 65	3.5
VB1004	120	70	95	800	Ø 8 -Ø 65	4.5

Articulated Holder



Post Holder



Articulated Holder			Arm length		
Order no.	Bottom thread	Weight	Bottom arm	Top arm	Total
	D	[Kg]	L1	L2	L1+L2+L3
NF60103	Ext. M5	0.320	56	51	178

Post Holder			Arm length and diameter	
Order no.	Bottom thread	Weight	Post	Arm
	D	[Kg]	Dia. (D1) x length (L1)	Dia. (D2) x length (L2)
PH3101	Ext. M5	0.240	Ø 10 x 120	Ø 8 x 110

All measurements are in mm unless otherwise specified



Noga Engineering and Technology (2008) Ltd.
P.O.B. 55. Dora Industrial Park
Shlomi 2283200, Israel
Tel: 972-4-9808080
Fax: 972-4-9808638
E-mail: noga@noga.com
www.noga.com