
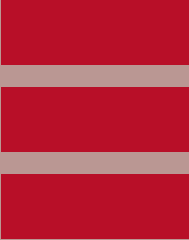
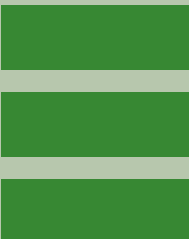



Main Content

DEBURRING SYSTEMS	1-65	
HOLDING SYSTEMS	66-111	
COOLING SYSTEMS CUTTING FLUID APPLICATORS	112-124	
INDEX	125-126	

Holding Systems



NOGA
simply sophisticated

Contents

INTRODUCTION	69-70	SPECIAL HOLDERS	93-94
		Unique arms with plastic fine adjustment for EDM and vacuum base for granite surfaces	
ARTICULATED HOLDERS FAT	71-74		
Noga articulated holders with fine adjustment at top			
ARTICULATED HOLDERS FAB	75-78	POST HOLDERS FAT	95-98
Noga articulated holders with fine adjustment at base		Noga PH holders are the latest improvement of the traditional indicator holder with fine adjustment on top	
ARTICULATED HOLDERS FAT & FAB	79-82	POST HOLDERS FAB	99-102
Noga articulated holders with fine adjustment at top and base		PH holders with Noga unique fine adjustment at base	
SETS & INDICATORS	83-84	MODULAR HOLDERS	103-104
Noga offers three sets combining the most popular holder with the world's best made indicators		Six different sizes of articulated arms	
CENTERING HOLDERS	85-88	BASES	105-106
		Nine different magnets ranging from the world's smallest to a large magnetic base and 5 clamps	
MINI HOLDERS	89-92	ACCESSORIES	107-110
		Top attachments, Adaptors, 3 Point Clamps, Knobs, Screws and Clamps	

Introduction

NOGA is proud to present its new catalog of holding systems.

These state of the art mechanical holders, are divided into two groups, ARTICULATED and PH, both designed to hold dial and test indicators, as well as many other components.

NOGA holders are also used in many other fields such as: machine construction, medical instruments, photography, light, sound and more.

NOGA holders consist of three main parts: Arms, base and top (See diagram on right).

NOGA ARTICULATED HOLDERS - articulated arms, with central locking mechanism.

NOGA PH HOLDERS - post and arm, with unique 3 points clamp.

Each group of holders consists of several sizes of arms, so you can always find one to suit your needs.

NOGA holders have fine adjustment mechanism, whether it is on the top (FAT), or at the base (FAB) or both.

NOGA top fine adjustment is made of metal, and is the only fine adjustment to hold 6mm, 8mm, 3/8" and dove tail.

NOGA SPECIALTY HOLDERS - unique individual items. These are Noga well known items.

NOGA SETS - 3 sets of holders and indicators.

NOGA BASES - different magnetic bases from 200 N to 1300 N, a 350 N vacuum base, and clamps.

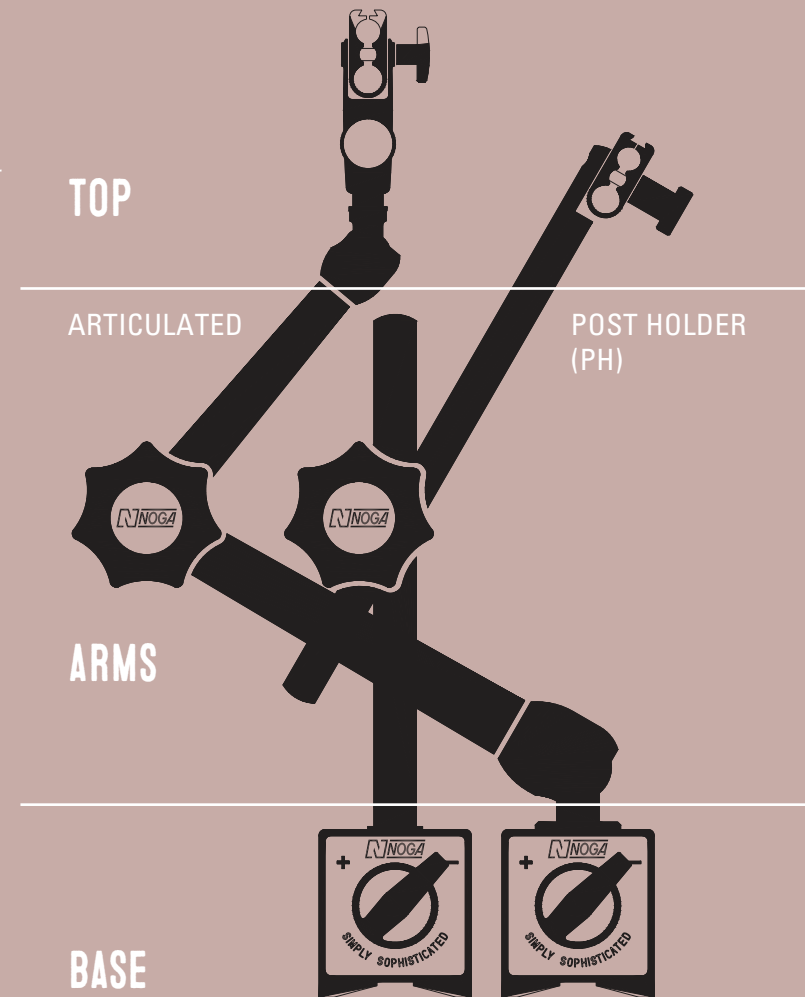
NOGA MODULAR HOLDERS - another useful addition to this catalog is the modular holders section which allows the user almost unlimited range of holding applications.

NOGA Accessories - A variety of accessories are shown. Custom made accessories are available upon request.



Choosing the Right Holder

- Choose the kind of arms needed, articulated or PH (Post Holder).
- When zero-setting is very important, use fine adjustment at base (FAB). In all other cases use fine adjustment on top (FAT).
- Decide what kind of base you want. Magnetic, vacuum or others.
- Depending on the type of indicator and job to be inspected, choose either standard clamp or NOGA fine adjustment with unique swivel clamp.
- Consult the relevant section in this catalog to choose the right holder.



Articulated Holder FAT*



NOGA
simply sophisticated

*Fine Adjustment Top



MA61003
Overall arm length 580 mm

MG71003
Overall arm length 347.50 mm

MG61003
Overall arm length 317 mm

DG61003
Overall arm length 282 mm

NF61003
Overall arm length 178 mm

Articulated Holders FAT*

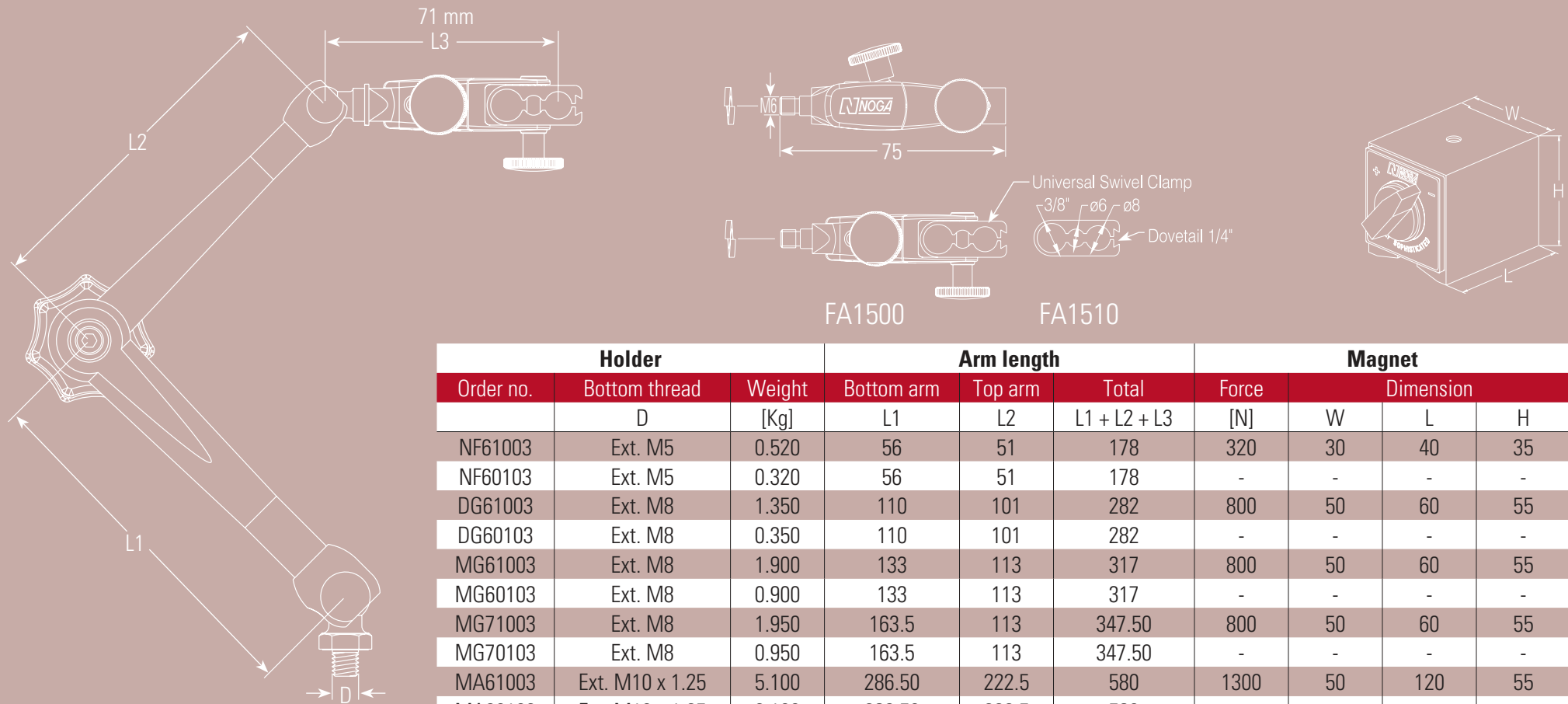
NOGA articulated holders with fine adjustment on top

Due to its stability and ease of use, **NOGA** articulated holder has become the industry most wanted.

- Fine adjustment on top with universal swivel clamp.
- Holds 6mm, 8mm, 3/8" and dovetail.
- Central locking mechanism with NOGA designed spring loaded bearing.
- Powerful on/off magnetic base.
- Instant fixation in any position.
- Fast and easy to set up gauges into required position.
- Black finished arms.

NOGA
simply sophisticated

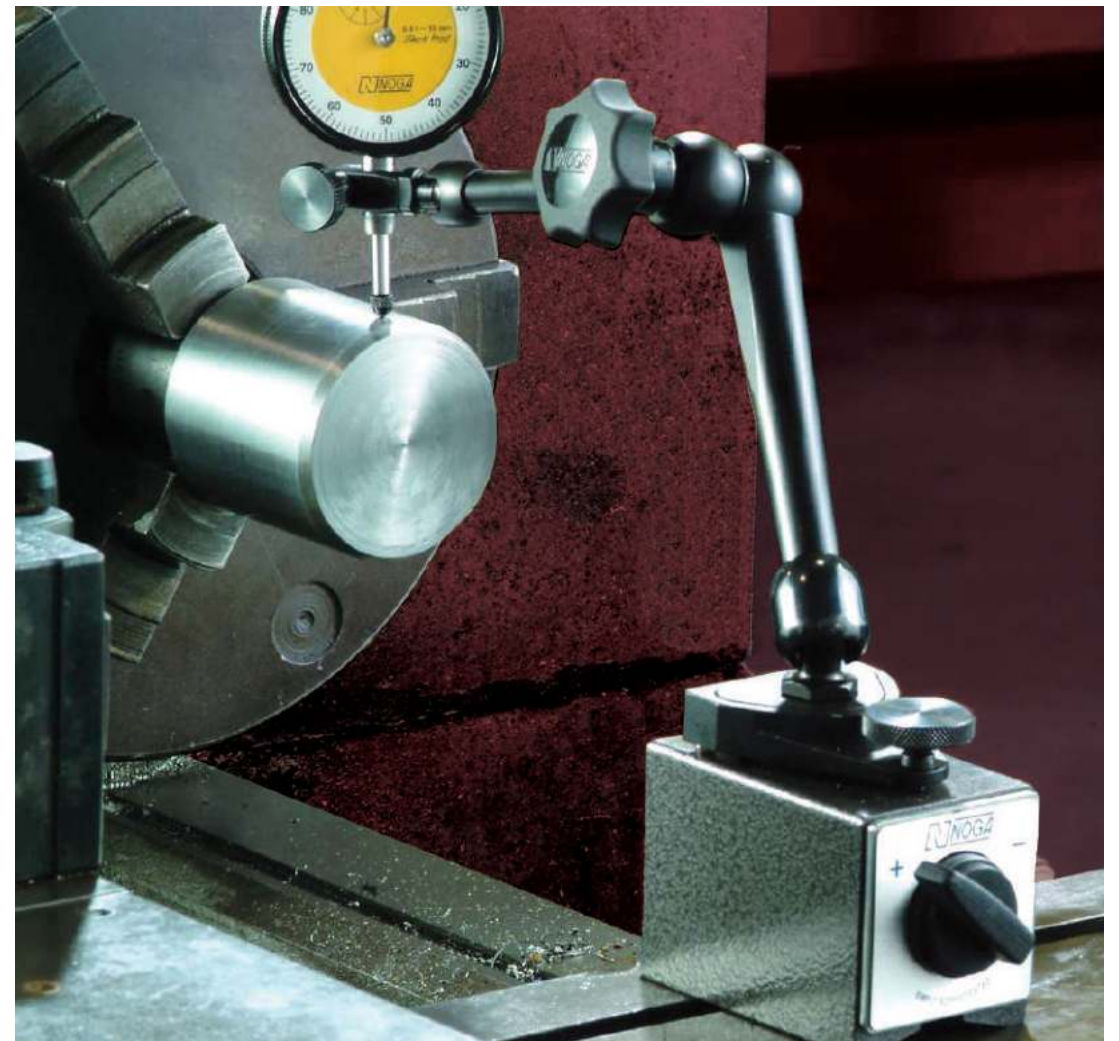
*Fine Adjustment Top



Order no.	Holder		Arm length			Magnet			
	Bottom thread	Weight	Bottom arm	Top arm	Total	Force	Dimension		
	D	[Kg]	L1	L2	L1 + L2 + L3	[N]	W	L	H
NF61003	Ext. M5	0.520	56	51	178	320	30	40	35
NF60103	Ext. M5	0.320	56	51	178	-	-	-	-
DG61003	Ext. M8	1.350	110	101	282	800	50	60	55
DG60103	Ext. M8	0.350	110	101	282	-	-	-	-
MG61003	Ext. M8	1.900	133	113	317	800	50	60	55
MG60103	Ext. M8	0.900	133	113	317	-	-	-	-
MG71003	Ext. M8	1.950	163.5	113	347.50	800	50	60	55
MG70103	Ext. M8	0.950	163.5	113	347.50	-	-	-	-
MA61003	Ext. M10 x 1.25	5.100	286.50	222.5	580	1300	50	120	55
MA60103	Ext. M10 x 1.25	3.100	286.50	222.5	580	-	-	-	-

All measurements are in mm unless otherwise mentioned

Articulated Holder FAB*



NOGA
simply sophisticated

*Fine Adjustment Base



MG10503 / MG10533
Overall arm length 267.5 mm



DG10503 / DG10533
Overall arm length 232.5 mm



NF10403 / NF10433
Overall arm length 128.5 mm

Articulated

Holder FAB*



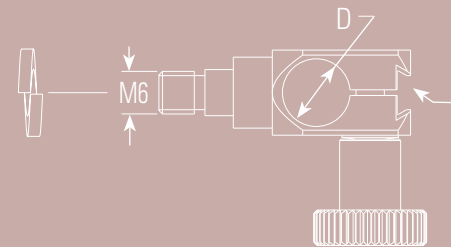
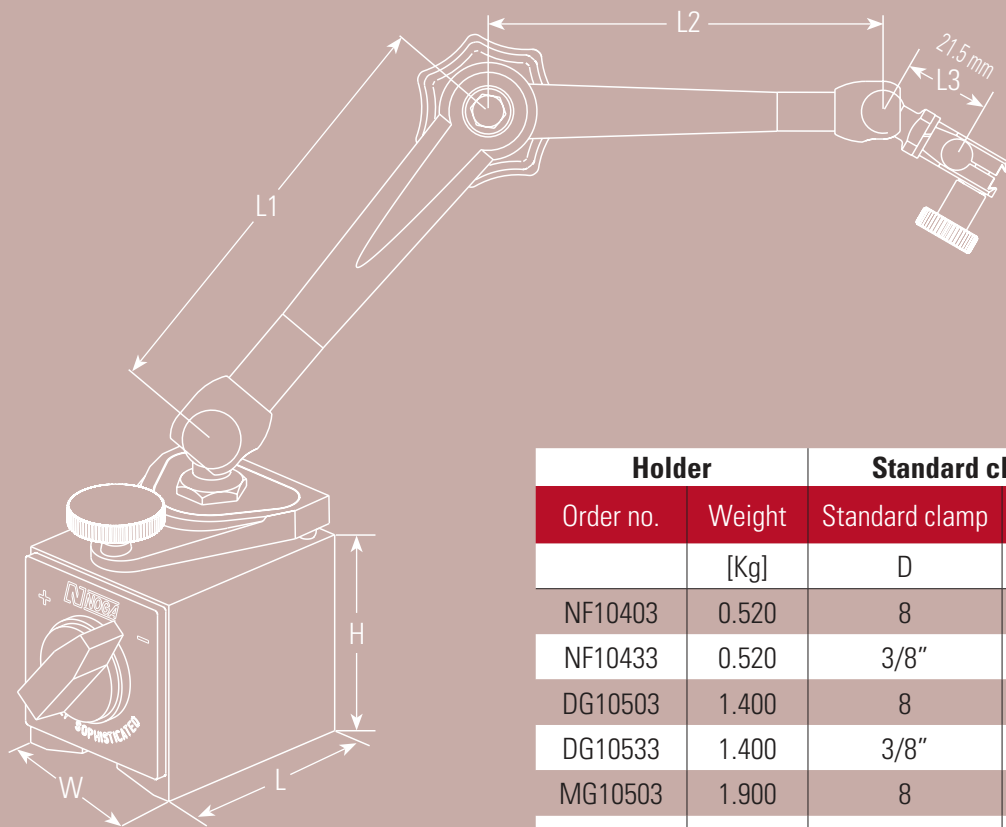
NOGA articulated holders with fine adjustment at base

NOGA has unique fine adjustment mechanism which is placed on the magnetic base. This mechanism allows the hand to rest on the base rather than on the clamp of the indicator. Zero-setting becomes faster than with any other mechanism.

- Unique single direction fine adjustment at base.
- Powerful on/off magnetic base.
- Holds 8mm or 3/8" and dovetail.
- Central locking mechanism with NOGA designed spring loaded bearing.
- Five axis holder.
- Instant fixation in any position.
- Easy to set up gauges into required position.
- Black finished arms

NOGA
simply sophisticated

*Fine Adjustment Base



Standard Clamp
FA 1100 dia. 8 mm and FA 1120 dia. 3/8"

Holder		Standard clamp		Arm length			Magnet			
Order no.	Weight	Standard clamp	Order no.	Bottom arm	Top arm	Total	Force	Dimension		
	[Kg]	D		L1	L2	L1 + L2 + L3	[N]	W	L	H
NF10403	0.520	8	FA1100	56	51	128.5	320	30	40	35
NF10433	0.520	3/8"	FA1120	56	51	128.5	320	30	40	35
DG10503	1.400	8	FA1100	110	101	232.5	800	50	60	55
DG10533	1.400	3/8"	FA1120	110	101	232.5	800	50	60	55
MG10503	1.900	8	FA1100	133	113	267.5	800	50	60	55
MG10533	1.900	3/8"	FA1120	133	113	267.5	800	50	60	55

All measurements are in mm unless otherwise mentioned

Articulated Holders FAT & FAB*



NNOGA
simply sophisticated

*Fine Adjustment Top & Base



MG6161
Overall arm length 317 mm



DG6160
Overall arm length 282 mm



NF6160
Overall arm length 178 mm

Articulated Holders FAT & FAB*

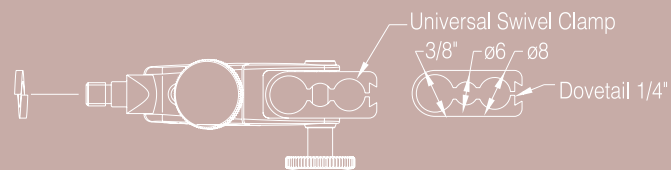
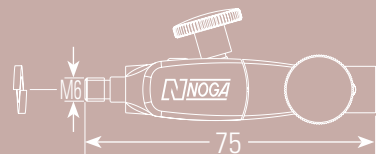
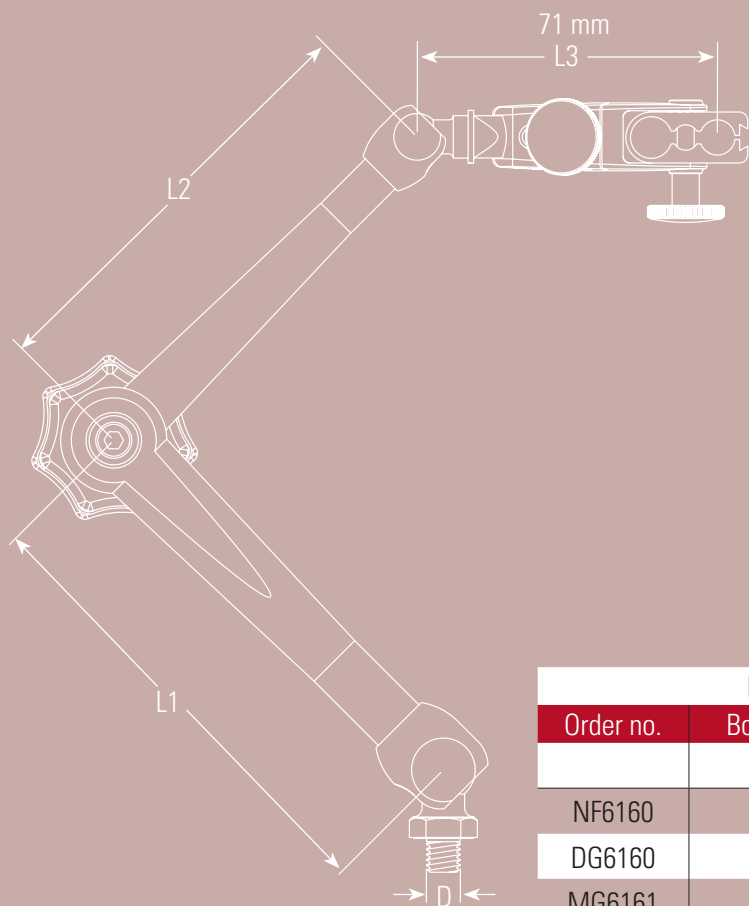


NOGA articulated holders with double fine adjustment

- New double fine adjustment:
BOTTOM: unique single direction
TOP: universal swivel clamp
- Holds 6 mm, 8 mm, 3/8" and dovetail.
- Unique central locking mechanism with Noga designed spring loaded bearing.
- Five axis holder.
- Powerful ON/OFF magnetic base.
- Instantly fastens in any position.
- Fast and easy to set up gauges into required position.
- Black finished arms.

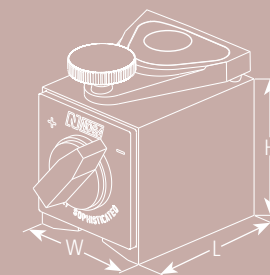
NOGA
simply sophisticated

*Fine Adjustment Top & Base



FA1500

FA1510



Holder			Arm length			Magnet			
Order no.	Bottom thread	Weight	Bottom arm	Top arm	Total	Force	Dimension		
	D	[Kg]	L1	L2	L1 + L2 + L3	[N]	W	L	H
NF6160	Ext. M5	0.550	56	51	178	320	30	40	35
DG6160	Ext. M8	1.450	110	101	282	800	50	60	55
MG6161	Ext. M8	2.000	133	113	317	800	50	60	55

All measurements are in mm unless otherwise mentioned

Holder Sets and Indicators



**Heavy Duty Holder Set
MG6150**

Includes:
1 pc. articulated holder -
MG61003
1 pc. indicator - DG1000



**Standard Holder Set
DG6150**

Includes:
1 pc. articulated holder -
DG61003
1 pc. indicator - DG1000



**Mini Holder Set
NF6150**

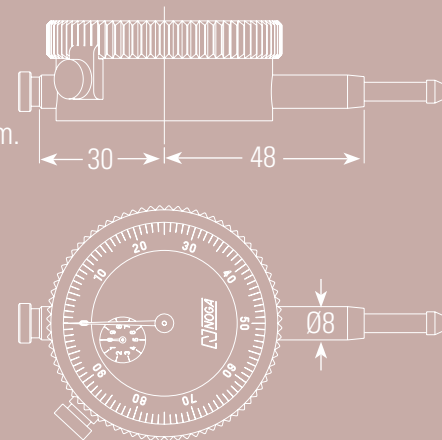
Includes:
1 pc. articulated holder -
NF61003
1 pc. indicator - NF1000

Sets and Indicators

NOGA offers three sets combining the most popular holders with the best made indicators.

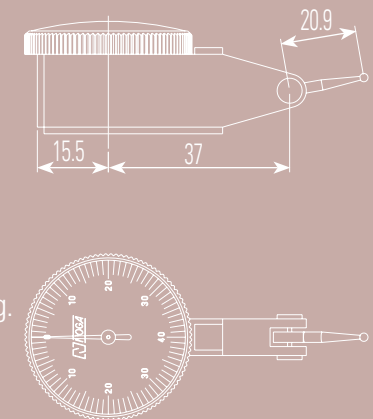
DG1000

- Dial diameter 58 mm.
- Stem diameter 8 mm.
- Measuring range 10 mm.
- Graduations 0.01 mm.



NF1000

- Lever-type test indicator, dial diameter 39 mm.
- Measuring range 0.8 mm.
- Graduations 0.01 mm.
- Contact point 2 mm dia., 20.9 mm length.
- Three dovetails for clamping.



Holder			Arm length			Indicators	Magnet		
Order no.	Bottom thread	Weight	Bottom arm	Top arm	Total	Order no.	Dimension		
	D	[Kg]	L1	L2	L1 + L2 + L3		W	L	H
NF6150	Ext. M5	0.600	56	51	178	NF1000	30	40	35
DG6150	Ext. M8	1.600	110	101	282	DG1000	50	60	55
MG6150	Ext. M8	2.100	133	113	317	DG1000	50	60	55

All measurements are in mm unless otherwise mentioned

Centering Holders



NOGA
simply sophisticated

Centering Holders



DG1022
Overall arm length 282 mm



NF1022
Overall arm length 178 mm



NF1015 / NF1018
Overall arm length 128.5 mm

Centering Holders

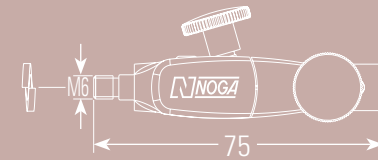
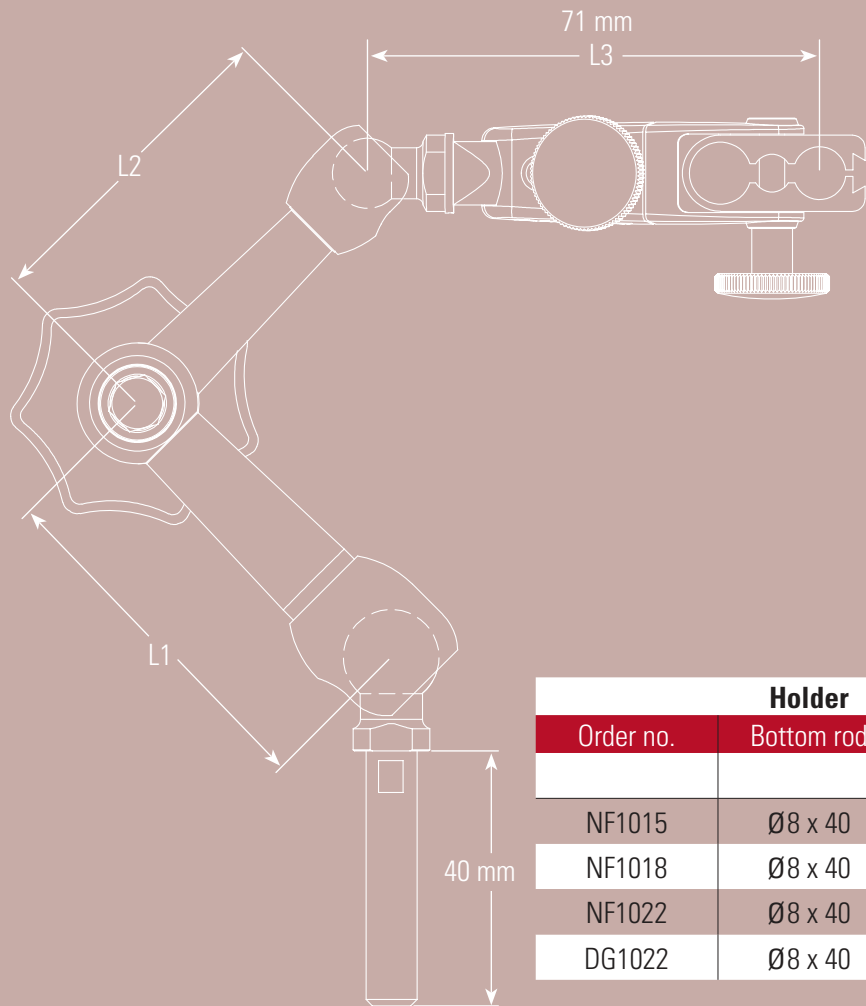


NOGA centering holders

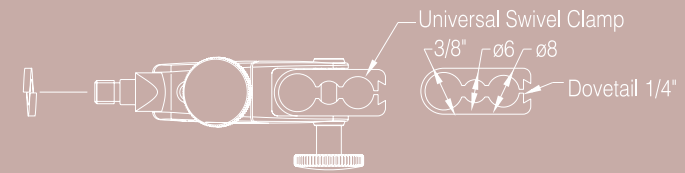
- Used for centering workpieces.
- Universal fine adjustment on DG1022 & NF1022.
- Standard clamp on NF1015 & NF1018.
- Unique central locking mechanism with spring loaded bearing.
- Central rod: $\varnothing 8 \times 40$ mm.
- Black finished arms.

NOGA
simply sophisticated

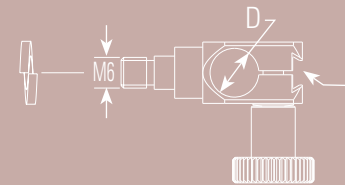
Centering Holders



FA1500



FA1510

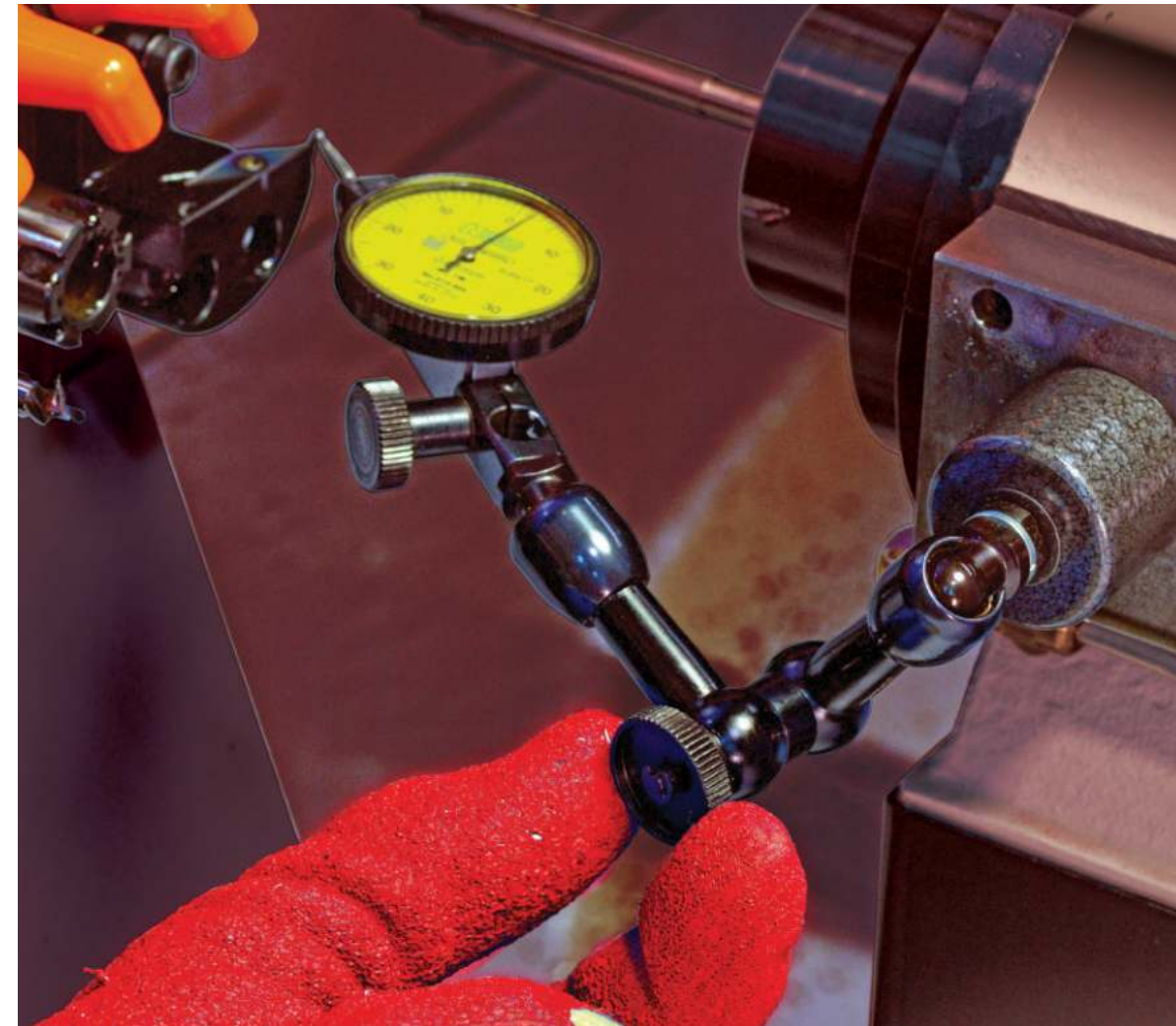


Standard Clamp
FA1100 dia. 8 mm
FA1120 dia. 3/8"

Holder			Arm length			Standard clamp	
Order no.	Bottom rod	Weight [Kg]	Bottom arm L1	Top arm L2	Total L1 + L2 + L3	Order no.	Dia. D
NF1015	Ø8 x 40	0.271	56	51	128.5	FA1100	8
NF1018	Ø8 x 40	0.271	56	51	128.5	FA1120	3/8"
NF1022	Ø8 x 40	0.314	56	51	178	FA1500	6, 8, 3/8"
DG1022	Ø8 x 40	0.350	110	101	282	FA1500	6, 8, 3/8"

All measurements are in mm unless otherwise mentioned

Mini Holders



NOGA
simply sophisticated

Mini Holders



PH5000

LC6200 8 mm
LC6210 3/8"

Overall arm length 87.5 mm

NF1030 8 mm
NF1033 3/8"

Overall arm length 128.5 mm

NF1021 8 mm
NF1024 3/8"

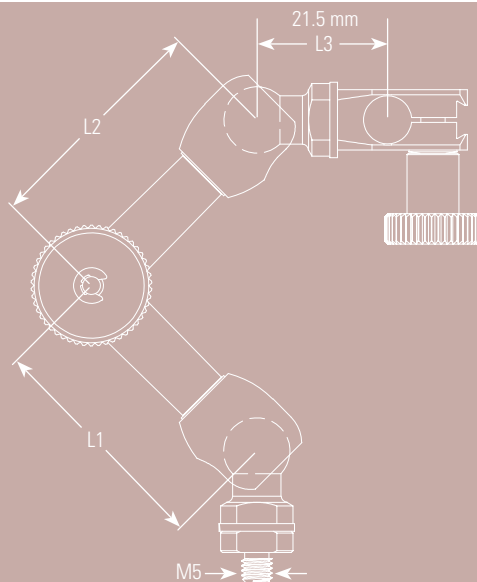
Overall arm length 128.5 mm

LC and PH Mini Holders

NOGA LC mini holder with small round magnet

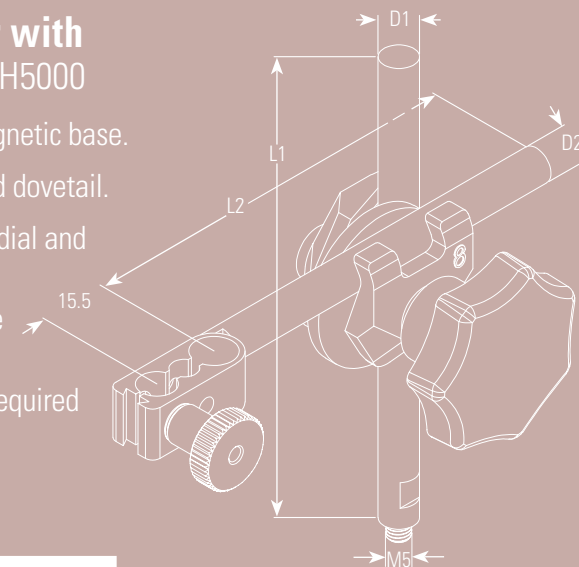
LC6200 / LC6210

- 200 N round permanent magnetic base.
- Holds 8 mm or 3/8" and dovetail.
- Unique central locking mechanism with Noga designed spring loaded bearing.
- Five axis holder.
- Instantly and easily fastens in any position.
- Black finished arms.



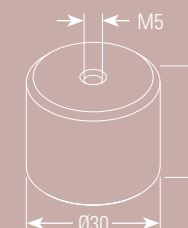
NOGA PH mini holder with small round magnet PH5000

- 200 N round permanent magnetic base.
- Holds 6 mm, 8 mm, 3/8" and dovetail.
- Unique swivel clamp for all dial and test indicators.
- Strong arm lock by using the unique 3-point system.
- Easy set up of gauges into required position.
- Black finished arms.

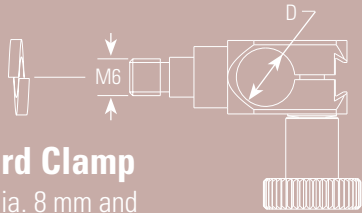


Holder		Arm length			Standard clamp		Magnet		
Order no.	Weight	Bottom arm	Top arm	Total	Order no.	Dia.	Force	Dimension	
	[Kg]	L1	L2	L1 + L2 + L3		D	[N]	Ø	H
LC6200	0.280	38	38	87.5	FA1100	8	200	30	25
LC6210	0.280	38	38	87.5	FA1120	3/8"	200	30	25

Holder		Arm length and diameter		Magnet		3 points clamp	
Order no.	Weight	Post	Arm	Force	Dimension		Order no.
	[Kg]	Dia. (D1) x length (L1)	Dia. (D2) x length (L2)	[N]	Ø	H	
PH5000	0.360	Ø8 x 110	Ø8 x 110	200	30	25	PH1307

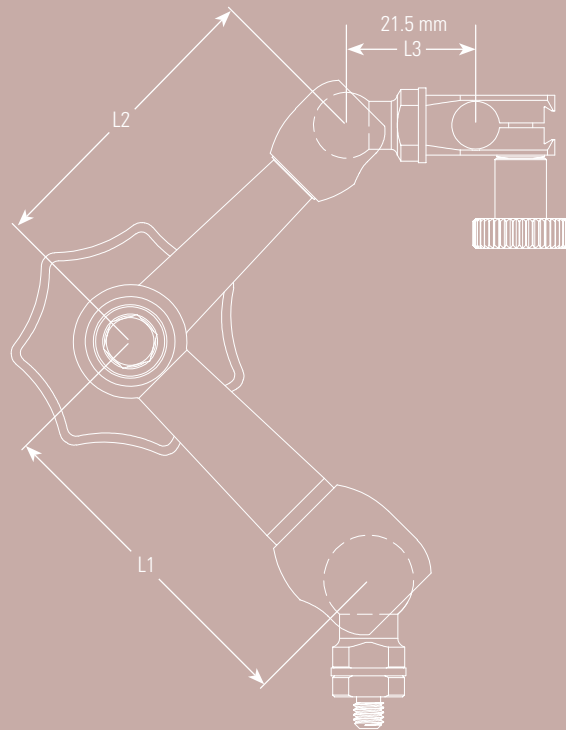


NogaFlex Mini Holders 360°



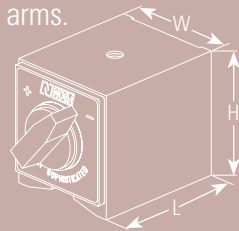
Standard Clamp

FA 1100 dia. 8 mm and
FA 1120 dia. 3/8"



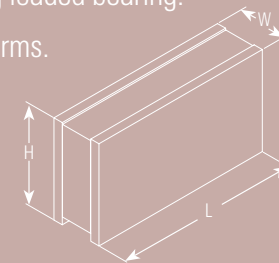
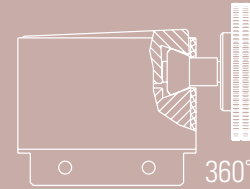
NogaFlex holder with on / off magnet NF1021 / NF1024

- Powerful on/off magnetic base.
- Five axis holder.
- Holds indicator with stem and dovetail.
- Instant fixation in any position.
- Central locking mechanism with NOGA designed spring loaded bearing.
- Black finished arms.



NogaFlex holder with permanent magnet NF1030 / NF1033

- Permanent magnetic base.
- Five axis holder.
- Holds indicator with stem and dovetail.
- Instant fixation in any position.
- Central locking mechanism with NOGA designed spring loaded bearing.
- Black finished arms.



Holder		Arm length			Standard clamp		Magnet			
Order no.	Weight	Bottom arm	Top arm	Total	Order no.	Dia.	Force	Dimension		
	[Kg]	L1	L2	L1 + L2 + L3		D		W	L	H
NF1021	0.575	56	51	128.5	FA1100	8	320N	30	40	35
NF1024	0.575	56	51	128.5	FA1120	3/8"	320N	30	40	35
NF1030	0.545	56	51	128.5	FA1100	8	280N	16	60	32
NF1033	0.545	56	51	128.5	FA1120	3/8"	280N	16	60	32

All measurements are in mm unless otherwise mentioned

Special Articulated Holders Top



DG1044
Overall arm length 282 mm



DG1030 / DG1033
Overall arm length 261 mm



MG1030 / MG1033
Overall arm length 317 mm

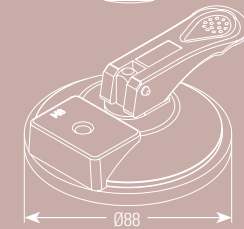
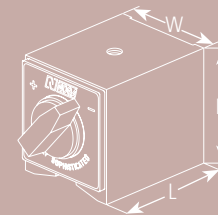
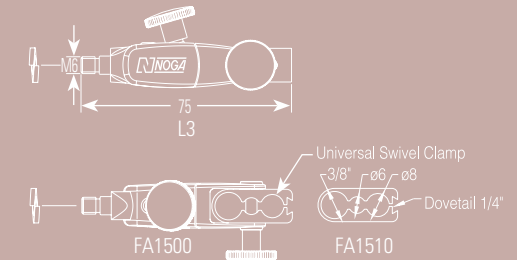
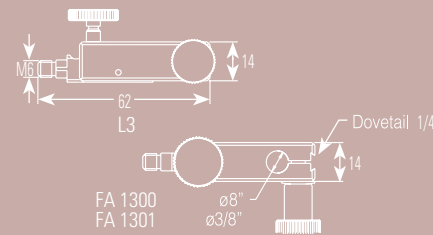
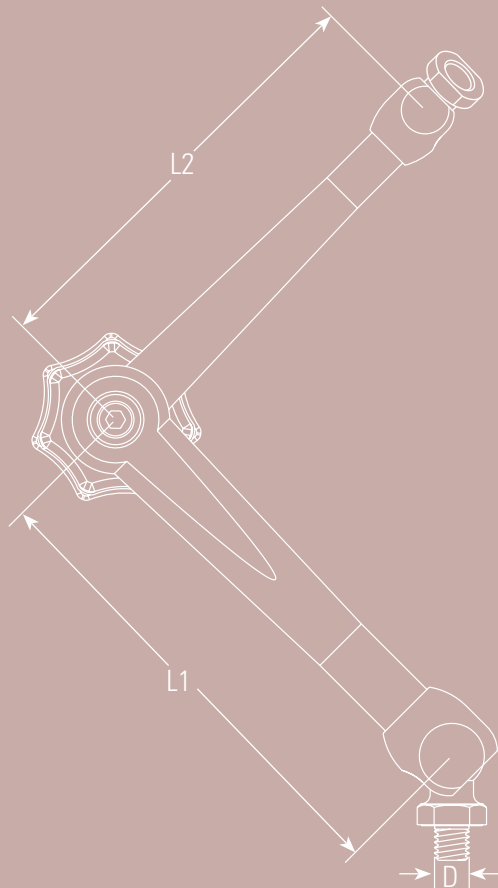
Special Articulated Holders

DG/MG Holders

Unique DG & MG arms with plastic fine adjustment. Ideal for EDM.

DG1044

Special DG arm with vacuum base. Ideal for granite table.



Holder			Arm length			Magnet				Standard Clamp	
Order no.	Bottom thread	Weight	Bottom arm	Top arm	Total	Force	Dimension			Order no.	D
	D	[Kg]	L1	L2	L1 + L2 + L3	[N]	W	L	H		
DG1030	Ext. M8	1.350	110	101	261	800	50	60	55	FA1300	8mm
DG1010	Ext. M8	0.350	110	101	261	-	-	-	-	FA1300	8mm
DG1033	Ext. M8	1.350	110	101	261	800	50	60	55	FA1301	3/8"
DG1013	Ext. M8	0.350	110	101	261	-	-	-	-	FA1301	3/8"
DG1044	Ext. M8	0.740	110	101	282	350	-	Ø88	-	FA1500	6mm,8mm,3/8"
MG1030	Ext. M8	1.850	133	113	317	800	50	60	55	FA1300	8mm
MG1010	Ext. M8	0.850	133	113	317	-	-	-	-	FA1300	8mm
MG1033	Ext. M8	1.850	133	113	317	800	50	60	55	FA1301	3/8"
MG1013	Ext. M8	0.850	133	113	317	-	-	-	-	FA1301	3/8"

All measurements are in mm unless otherwise mentioned

Post Holders FAT*



NOGA
simply sophisticated

*Fine Adjustment Top



PH6800



PH6600



PH6400

Post Holders FAT*

NOGA economical holders with fine adjustment on top

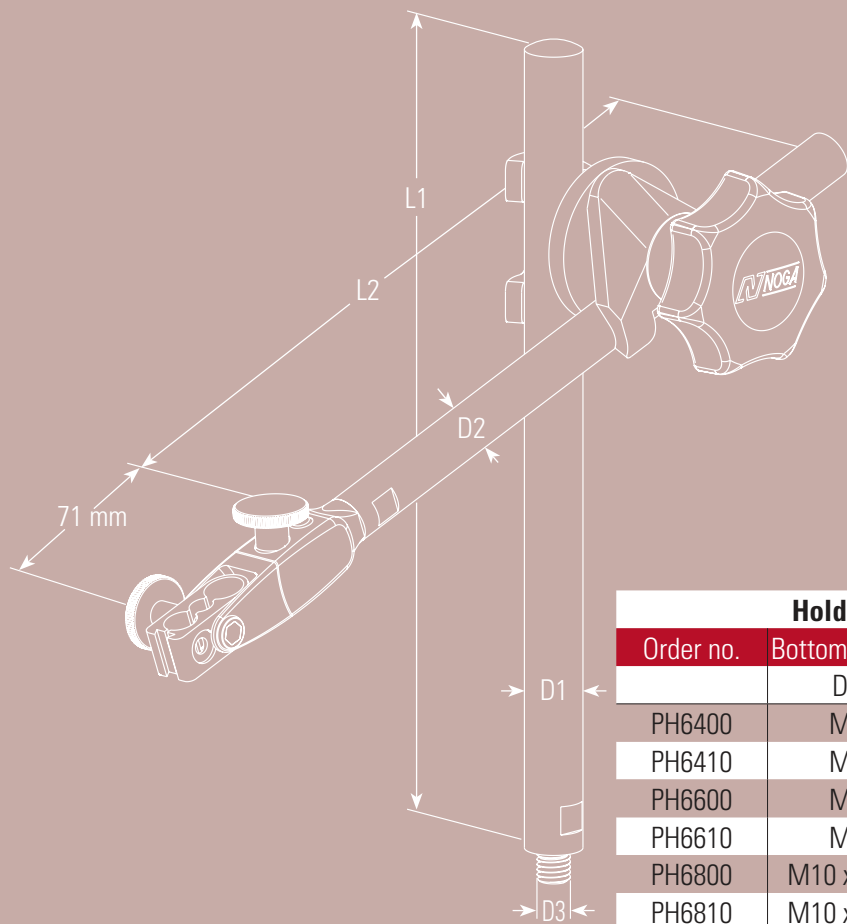
NOGA PH (Post Holder) holders are the latest improvement of the traditional indicator holder.

- Fine adjustment on the top with universal swivel clamp.
- Holds 6mm, 8mm, 3/8" and dovetail.
- Powerful on/off magnetic base.
- Strong arm lock by using 3 points clamp.
- Easy to set up gauges into required position.
- Black finished arms.

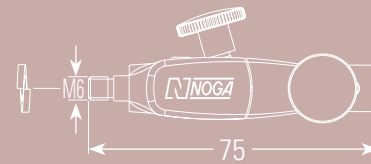


NOGA
simply sophisticated

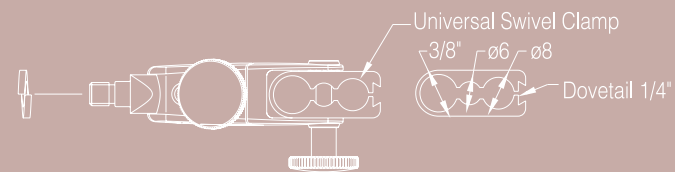
*Fine Adjustment Top



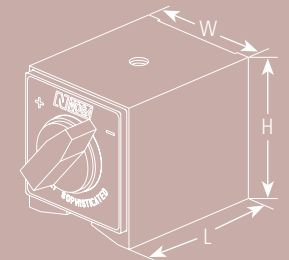
3 points clamp



FA1500



FA1510



Holder			Arm length and diameter		Magnet			3 points clamp	
Order no.	Bottom thread	Weight	Post	Arm	Force	Dimension			Order no.
	D3	[Kg]	Dia. (D1) x length (L1)	Dia. (D2) x length (L2)	[N]	W	L	H	
PH6400	M8	1.700	Ø14 x 203	Ø12 x 185	800	50	60	55	PH0310
PH6410	M8	0.700	Ø14 x 203	Ø12 x 185	-	-	-	-	PH0310
PH6600	M8	2.300	Ø16 x 260	Ø16 x 225	1000	50	75	55	PH0312
PH6610	M8	1.070	Ø16 x 260	Ø16 x 225	-	-	-	-	PH0312
PH6800	M10 x 1.25	3.450	Ø18 x 350	Ø16 x 225	1300	50	120	55	PH0313
PH6810	M10 x 1.25	1.450	Ø18 x 350	Ø16 x 225	-	-	-	-	PH0313

All measurements are in mm unless otherwise mentioned

PH Holders FAB*



NOGA
simply sophisticated

*Fine Adjustment Base



PH4016



PH2040



PH3100

Post Holder

FAB*

NOGA economical holders with fine adjustment at base

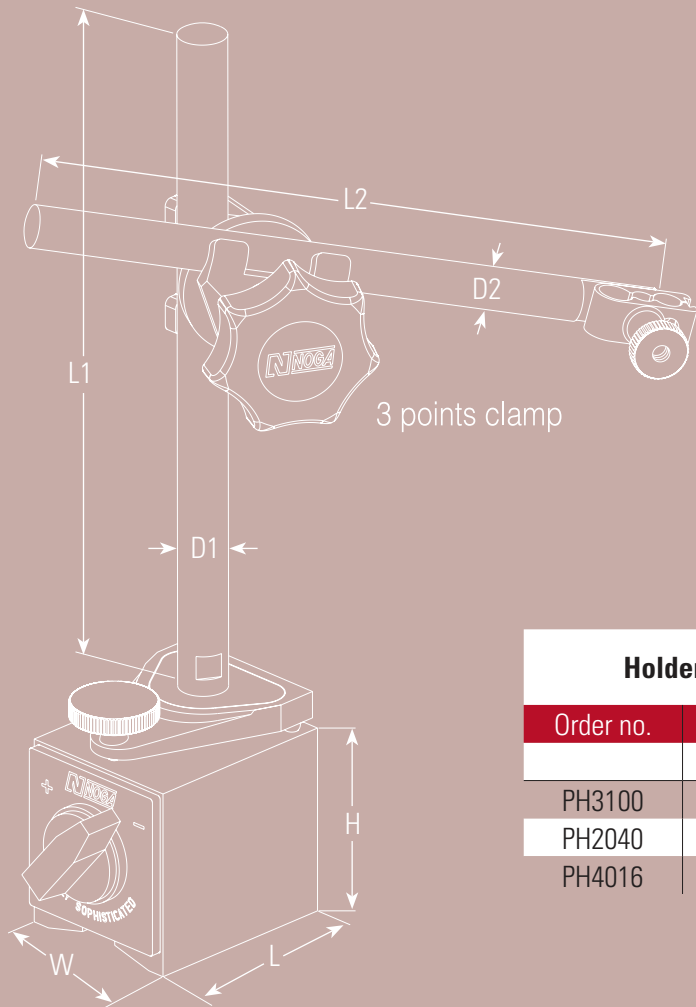
PH holders with NOGA unique fine adjustment at base.

- Single direction fine adjustment at base.
- Powerful on/off magnetic base.
- Universal swivel clamp for all dial and test indicators.
- Holds 6mm, 8mm, 3/8" and dovetail.
- Strong arm lock by using 3 points clamp.
- Easy to set up gauges into required position.
- Black finished arms.



NOGA
simply sophisticated

*Fine Adjustment Base



Universal swivel clamp



Holder		Arm length and diameter		Magnet			3 points clamp	Universal swivel clamp	
Order no.	Weight [Kg]	Post Dia. (D1) x length (L1)	Arm Dia. (D2) x length (L2)	Force [N]	Dimension W L H			Order no.	Order no.
PH3100	0.500	Ø10 x 120	Ø8 x 110	320	30	40	35	PH0315	FA1210
PH2040	1.700	Ø14 x 203	Ø12 x 185	800	50	60	55	PH0310	FA1410
PH4016	2.450	Ø16 x 260	Ø16 x 225	1000	50	75	55	PH0312	FA1410

All measurements are in mm unless otherwise mentioned

Modular Holders



6 NOGA Modular holders

- Six different sizes of articulated arms are offered for a wide range of applications.
- Choose the arms that fit your needs.
- A range of accessories are shown on pages 107 - 110.
- Custom-made arms and accessories are available upon request.
- Minimum quantity 500 pcs.

MA60003

Overall arm length 509 mm

MG70003

Overall arm length 276 mm

MG60003

Overall arm length 246 mm

DG60003

Overall arm length 211 mm

NF60003

Overall arm length 107 mm

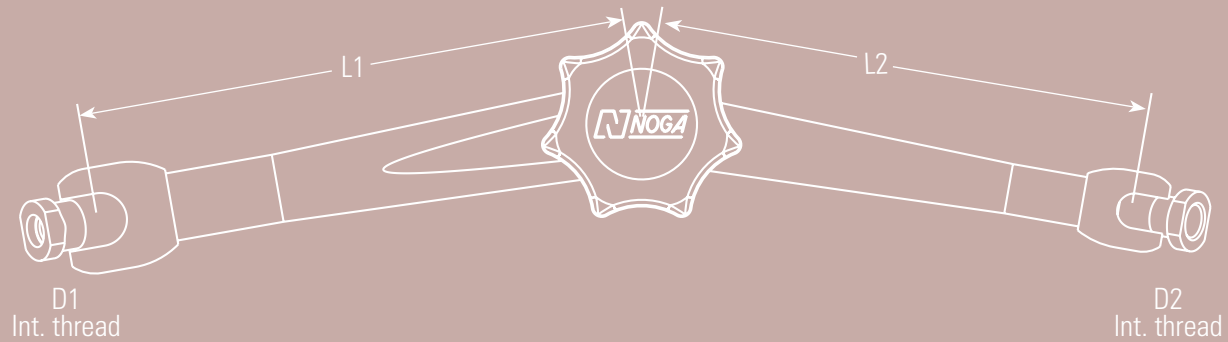
LC6100

Overall arm length 76 mm

**THE
SMALLEST AND
LIGHTEST ARM IN
THE MARKET**

NOGA
simply sophisticated

Modular Holders



Order no.	Weight [Kg]	Int. thread		Arms length		
		D1	D2	L1	L2	Total L1 + L2
LC6100	0.121	M6	M6	38	38	76
NF60003	0.210	M6	M6	56	51	107
DG60003	0.250	M6	M6	110	101	211
MG60003	0.750	M8	M6	133	113	246
MG70003	0.800	M8	M6	163	113	276
MA60003	3.000	M10 x 1.25	M6	286.5	222.5	509

All measurements are in mm unless otherwise mentioned

NOGA Bases



DG0039



DG0038



DG0036



NF0037



HS1100



DG0040



DG1003



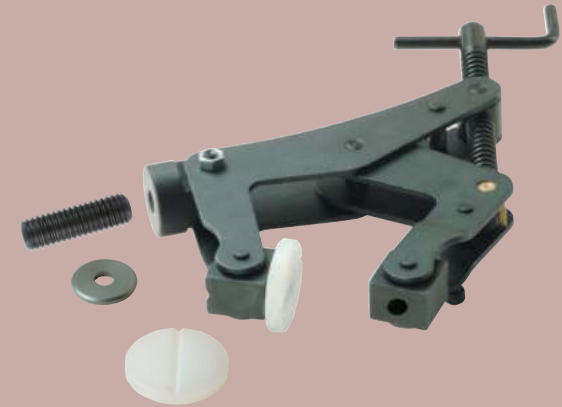
DG0118



DG3678



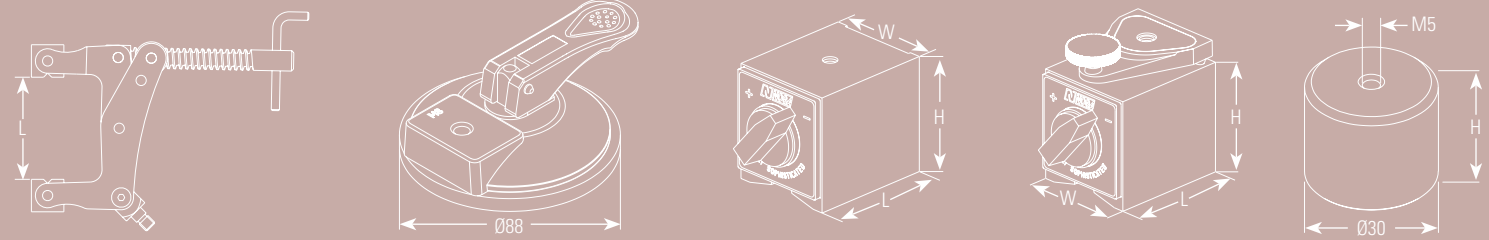
NF3778



Noga Bases

NOGA bases

Different magnets ranging from the world's smallest switchable on/off (320 N) to a large magnetic base (1300 N). A 350 N vacuum base and 5 clamps are offered for our customers' choice.




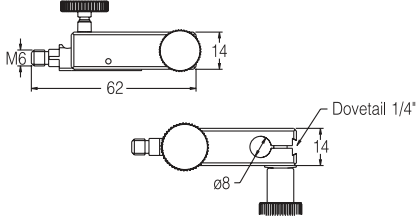

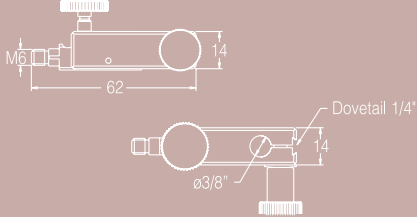

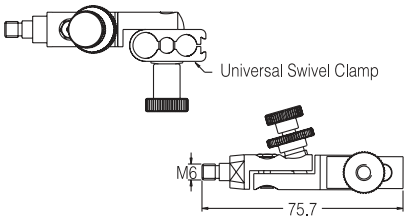

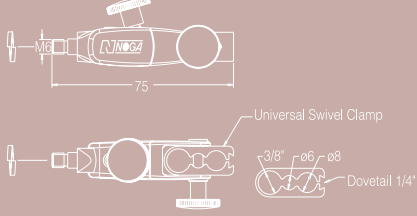
Order no.	Type	Weight [Kg]	Force [N]	Thread	W	L	H
HS1100	Round magnet	0.123	200	M5	-	Ø30	25
NF0037	On/off magnet	0.230	320	M5	30	40	35
NF3778	On/off magnet with fine adj.	0.250	320	M5	30	40	35
DG0036	On/off magnet	1.000	800	M8	50	60	55
DG3678	On/off magnet with fine adj.	1.100	800	M8	50	60	55
DG0038	On/off magnet	1.270	1000	M8	50	75	55
DG0118	On/off magnet with fine adj.	1.380	1000	M8	50	75	55
DG0039	On/off magnet	2.000	1300	M10 x 1.25	50	120	55
DG1003	On/off magnet with multi threads	1.350	1000	M6/8/10/12 10 x 1.25	50	75	55
DG0040	Vacuum base	0.400	350	M8	-	Ø88	23
MA0322	4" clamp	1.150	-	Ext. M10 x 1.25	-	100	-
MA0320	4" clamp	1.160	-	Int. M10 x 1.25	-	100	-
MG1006	3" clamp	0.570	-	Ext. M8	-	75	-
MG1003	3" clamp	0.600	-	Int. M8	-	75	-
MG0125	3" clamp with plastic cover	0.600	-	Int. M8	-	75	-

All measurements are in mm unless otherwise mentioned

NOGA
simply sophisticated

Top Attachments

For dial & test indicators

FA1300	M6	Plastic F.A. 8 mm		
FA1301	M6	Plastic F.A. 3/8"		
FA1400	M6	2SM Metal F.A. 6 mm, 8 mm, 3/8"		
FA1500	M6	Metal F.A. 6 mm, 8 mm, 3/8"		

Top Attachments

Quick Release AD4000

Enables a quick change to the equipment without having to fiddle with screws and threads.

Simply pull back the red sleeve and slot in the Noga arm into the Quick Release attachment.

Quick Release can be held by a range of Noga arms.

Features bottom external thread M6 and top external thread 1/4" UNC.



Clamps for top attachment

NF0125	M6 EXT.	Clamp 1"		
DG0125	M6 EXT.	Clamp 2"		

45 mm Clamp CS4550


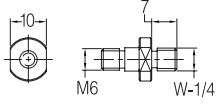

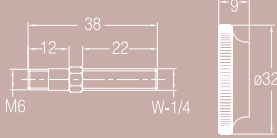

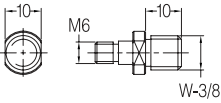

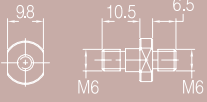

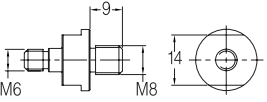

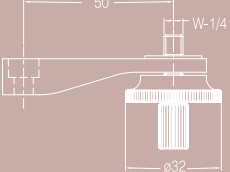
The strong CS4550 clamp with its special soft grip expands onto round and flat surfaces up to 45 mm.

Features internal threads: 2 x 1/4", 2 x 3/8", 1 x 6 mm, 1 x 8 mm.


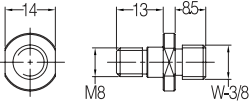

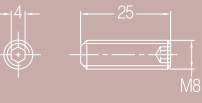


Accessories

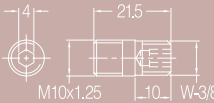
M6 Adaptors

AD6010		
AD6015		
AD6030		
AD6060		
AD6080		
MA0125		

M8 Adaptors


AD8030		
AD8080		

M10 x 1.25 Adaptors


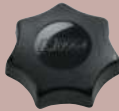

AD1000		
AD1030		
AD1080		

Accessories



3 Point Clamp

	Dia. Post	Dia. Arm	
PH1307	8	8	For Holder PH5000
PH0315	10	8	For Holder PH3100
PH0310	14	12	For Holders: PH2040 PH6400 PH6410 
PH0312	16	16	For Holders: PH4016, PH6600, PH6610
PH0313	18	16	For Holders: PH6800, PH6810

Knobs

DG0160	Knob for NF & DG Holders	
MG1620	Knob for MG Holders	
MA0100	Knob for MA Holders	

Screws

DG0340	M5 x 9	Replacement screw for FA1500. 
DG0141	M4 x 12	Replacement screw for DG10503, DG10533, MG10503, MG10533, NF 10403, NF 10433, DG6160 & MG6161. 



NOGA
simply sophisticated